

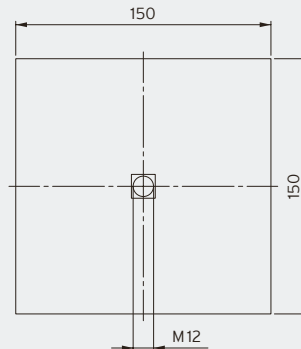
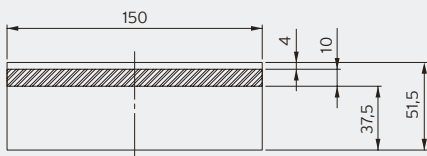
Isotop SE pro

Sandwich element with high-end vibration isolation

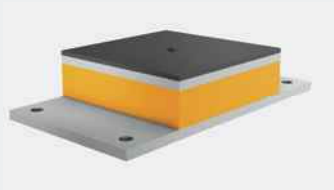
- Natural frequency from 7.5 Hz
- Top plate fitted with 4 mm Sylomer[®] anti-slip plate
- 10 mm hot dip galvanised steel plate for pressure distribution
- Insulating layer made from 37.5 mm Sylomer[®] or Sylodyn[®]
- M12 internal thread for easy screw-fixing
- Suitable for different frame widths
- Quick and easy to install

		Maximum load		Natural frequency at maximum load	Packaging unit	Order number
		in kg	in N			
 SE pro	Isotop SE pro 9-1	Single layer	90	883	9.6 Hz	12 pcs. 47527
	Isotop SE pro 14-1	Single layer	148	1,452	8.5 Hz	12 pcs. 46528
	Isotop SE pro 28-1	Single layer	290	2,845	7.5 Hz	12 pcs. 46529
	Isotop SE pro 67-1	Single layer	630	6,181	7.9 Hz	12 pcs. 46530
	Isotop SE pro 133-1	Single layer	1,150	11,282	8.0 Hz	12 pcs. 46532
	Isotop SE pro 225-1	Single layer	2,050	20,111	7.8 Hz	12 pcs. 46533

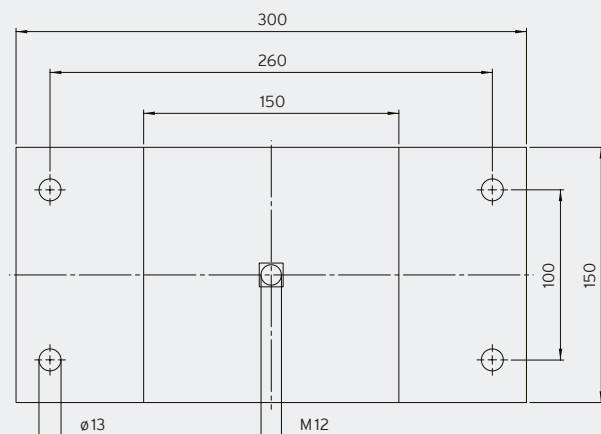
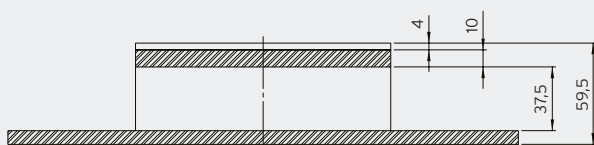
Isotop SE pro (unloaded)



Pre-mounted base plate available on request



Isotop SE pro with base plate (unloaded)





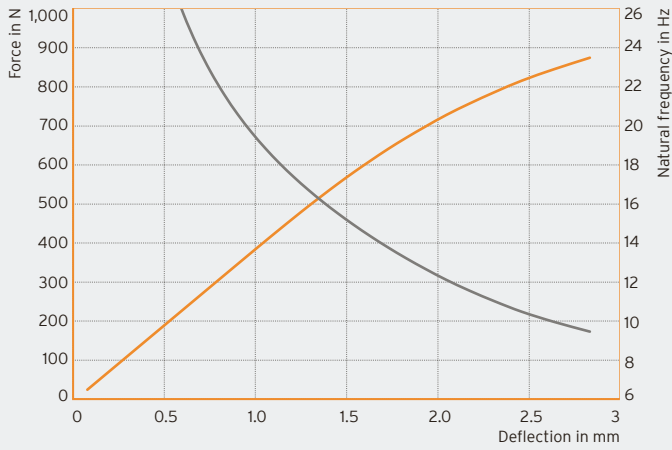
Isotop SE pro



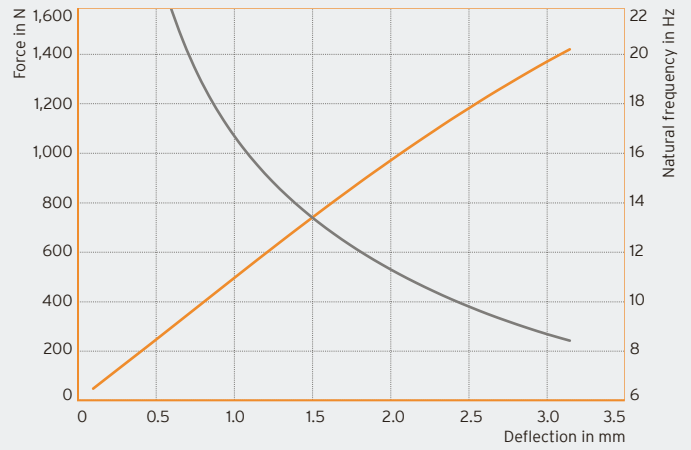
Air conditioning unit on Isotop SE pro

— Force in N
— Natural frequency in Hz

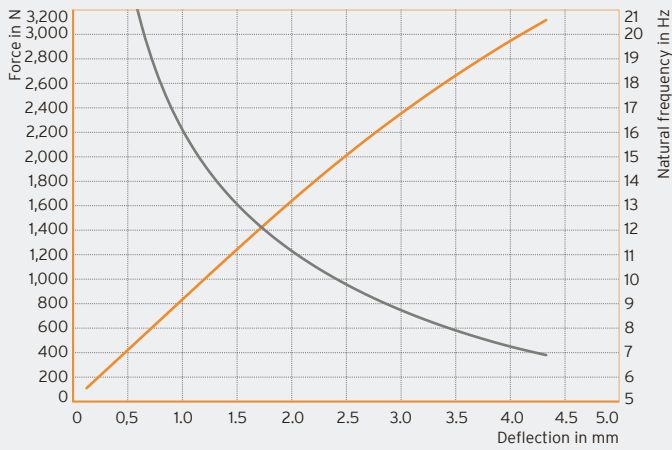
Isotop SE pro 9-1



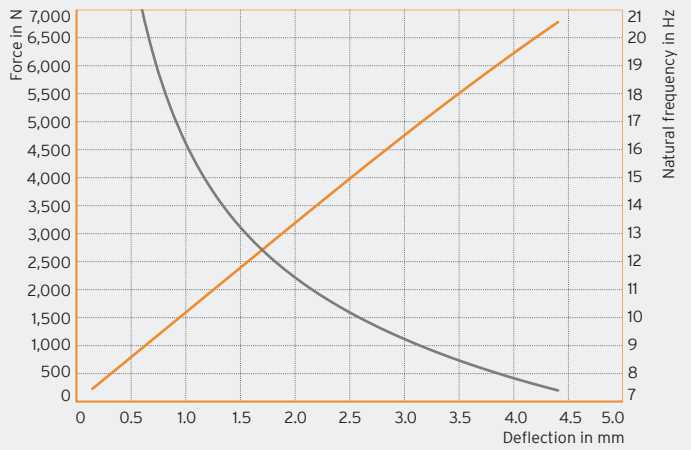
Isotop SE pro 14-1



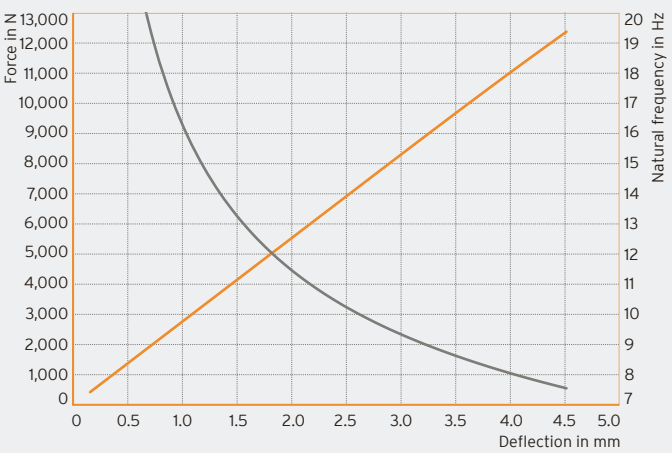
Isotop SE pro 28-1



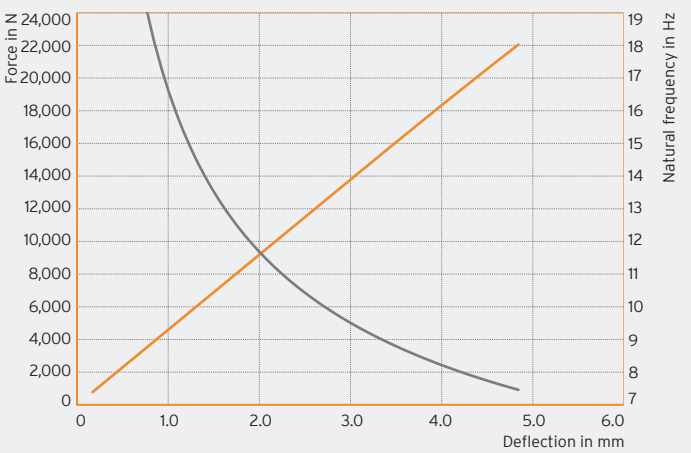
Isotop SE pro 67-1



Isotop SE pro 133-1



Isotop SE pro 225-1



DB Isotop en © Copyright by Getzner Werkstoffe GmbH | 09-2022 | All information and data is based on our current knowledge. It can be used in calculations and for reference purposes, but is subject to product-specific and application-specific manufacturing tolerances and does not represent warranted properties. Material properties and their tolerances vary depending on the type of application and load and are available from Getzner on request. Subject to change without notice. For further general information, see VDI directive 2062 and glossary. Further characteristic values available on request.