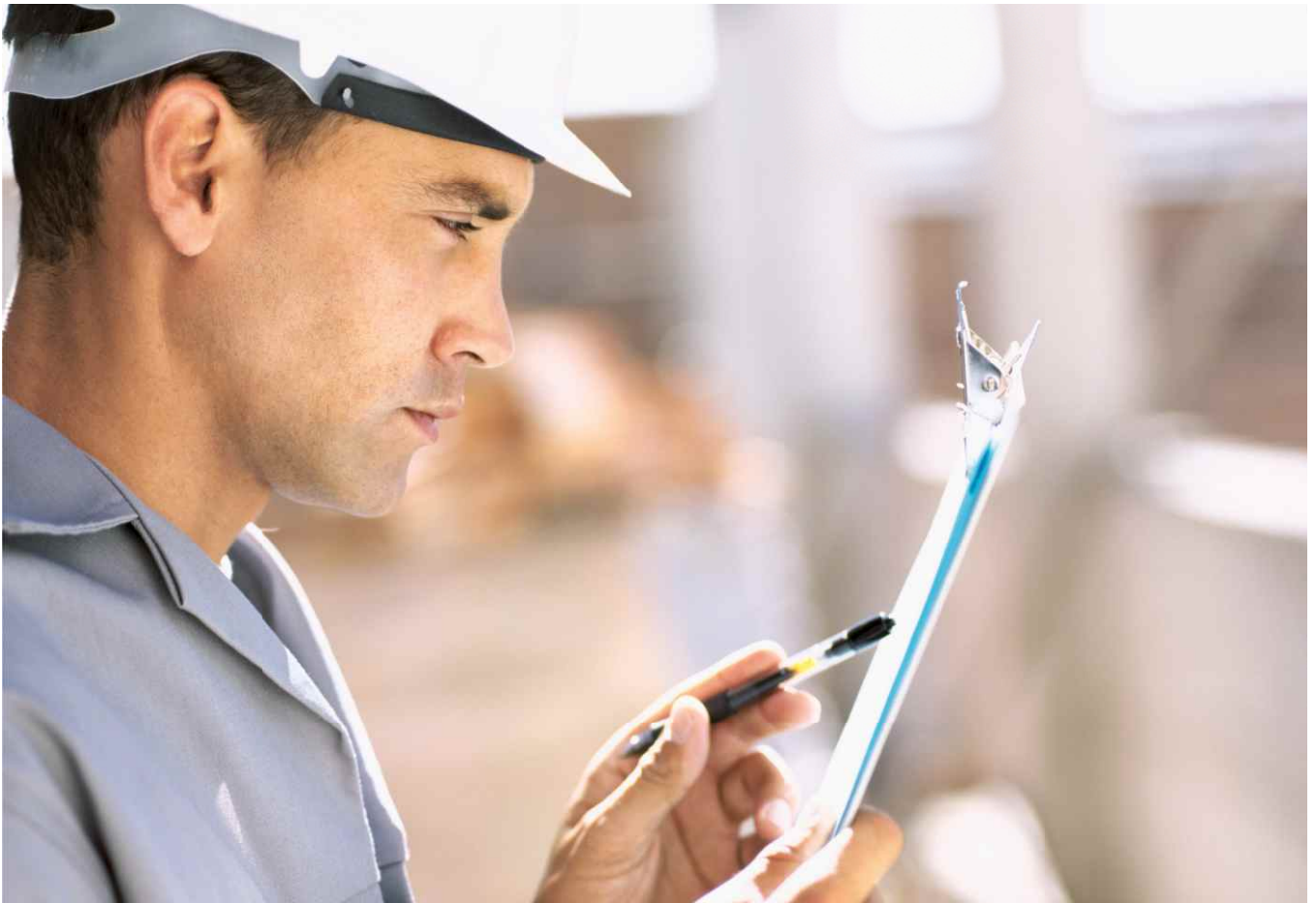


Installation Guideline

Getzner Preloaded Bearing



1. Instructions

Carefully read through the instructions in this Installation Guideline before starting installation work.

To ensure the bearing works correctly, it is essential that you observe and implement the following points.

2. Storage

As a general rule, the materials must be stored clean and dry.

The storage conditions should reflect the prevailing humidity levels and ambient temperature at the installation site where possible.

3. Cleaning

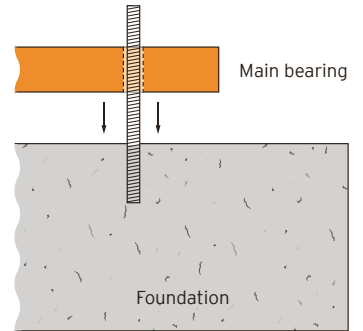
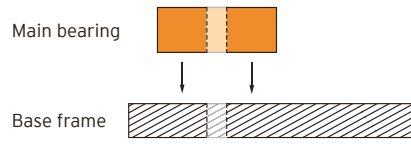
The base frame and foundation must be clean, dry and free from oil, grease and other contaminants.

Installation on a base frame

Installation on a foundation

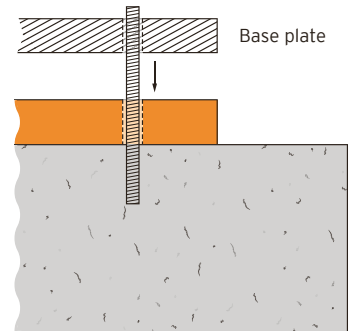
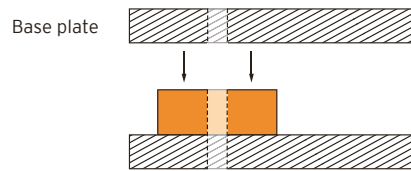
4. Positioning the main bearing

Position the main bearing on the prepared base frame or foundation.



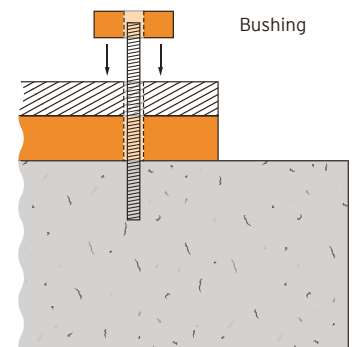
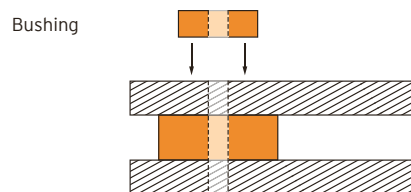
5. Positioning the base plate

Position the base plate on the main bearing. The main bearing must be fully covered by the base plate.



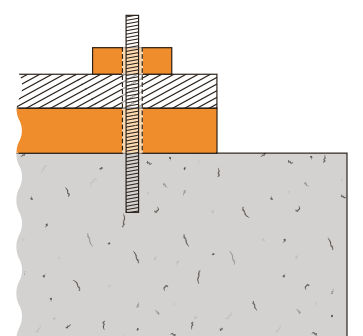
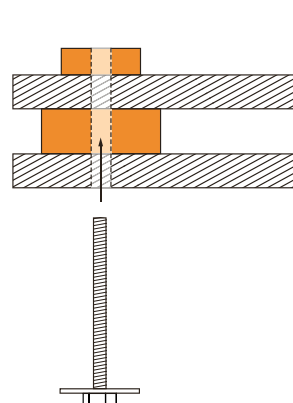
6. Positioning the bushing

Position the bushing.



7. Inserting the screws

Push the screw with washer through the hole. If the threaded rods are concreted in, the individual parts will have already been slipped onto them.

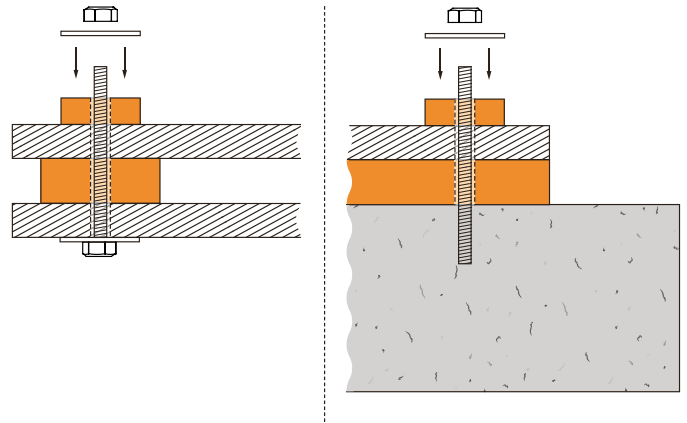


Installation on a base frame

Installation on a foundation

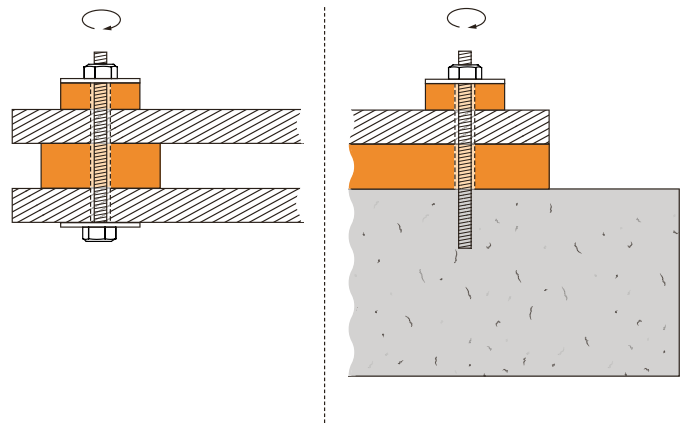
8. Establishing the screw-fixing

Thread the washer and the self-locking (!) nut onto the screw or threaded rod. When doing so, make sure the washer fully covers the bushing.



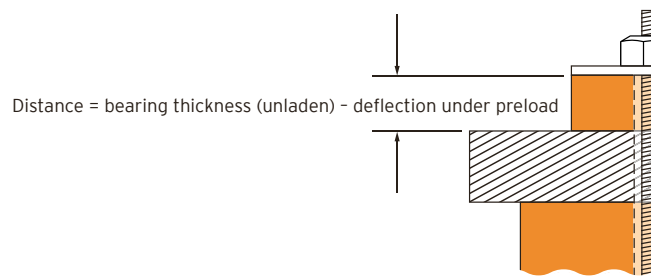
9. Preloading the screw-fixing

Tighten the screw-fixing up to the bushing. However, do not compress this yet.



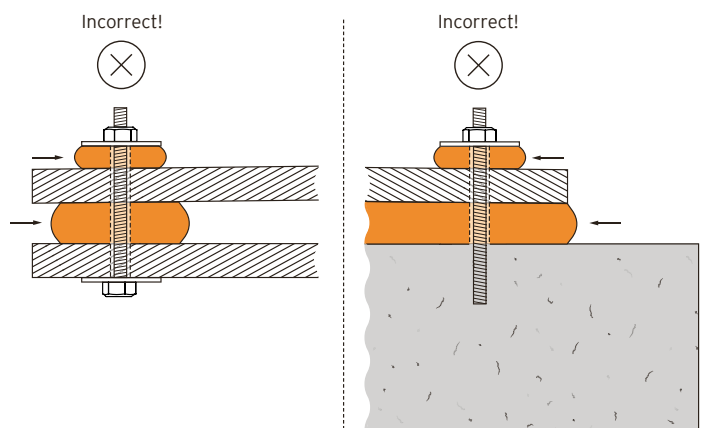
10. Applying a preload

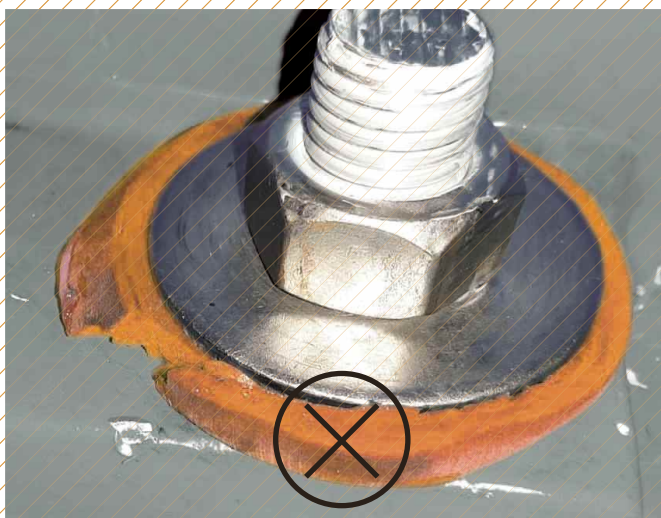
Tighten the bushings while observing the deflection under preload specified in the calculation.



11. Important!

Avoid excessive preload due to over-tightening! It is essential to observe the deflection under preload specified in the calculation for functional decoupling.





Note: avoid crushing the material.

12. Maintenance

Settlement losses may occur as a result of creepage. Roughly two weeks after installing the preloaded bearing or applying the full load, check the screw preload and correct it if necessary.

Following this, an annual check is sufficient.